

# Kirra

## Basin Mixer



Crystal  
Gold



Gun Metal



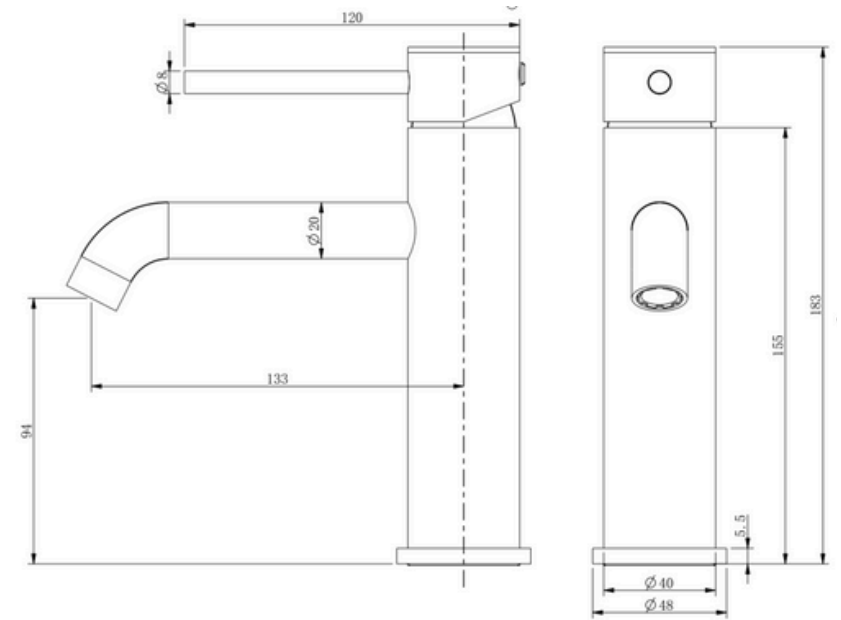
Champagne



Brushed  
Nickel



Brushed  
Brass



## Features

- PVD finish
- Round pin lever handle
- Compact design
- Made from 304 stainless steel
- Swiss engineered

## Cleaning & Care

- Clean regularly using a microfiber cloth with mild soapy water.
- In areas with heavy pollution or near the coast, we recommend cleaning 2–3 times per week.
- Avoid harsh detergents, bleach, cream cleaners, or citrus-based products, as these can damage the surface.
- Wipe gently using one-direction strokes; do not apply excessive pressure.

